

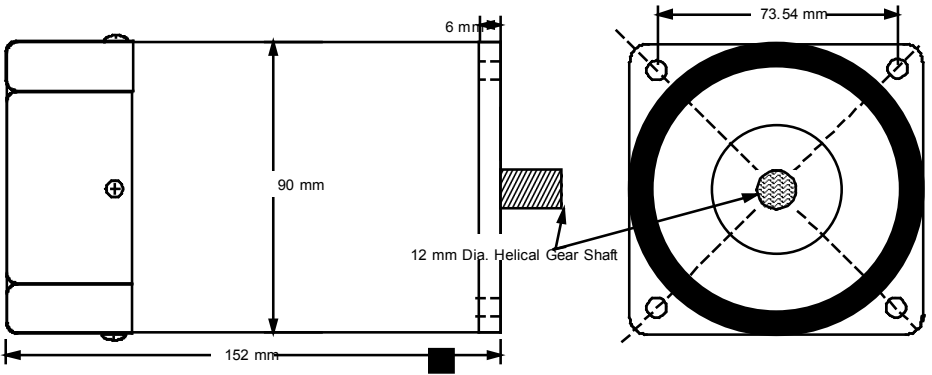


### Motor Parameters (Excluding Gearhead)

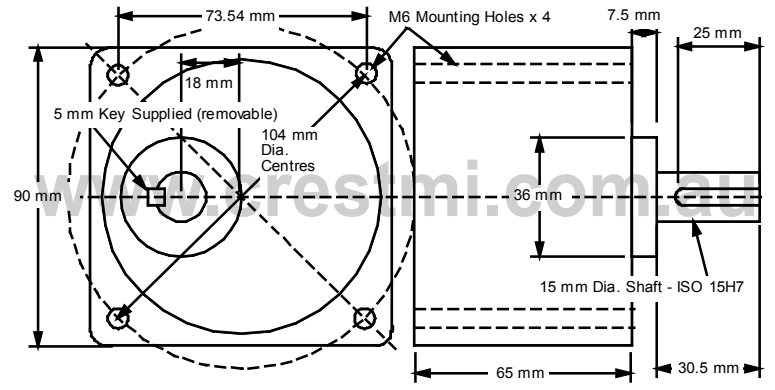
- Operating Voltage: 220-240 VAC 50/60 Hz
- Output Power: 120 Watts
- Rating: Continuous
- Speed: 1500 RPM Synchronous (4 Pole @ 50 Hz)  
Actual = 2% - 20% Less – Load Dependent
- Rated Motor Current: 1.5 Amps
- Startup Torque: 530 mN.m
- Maximum Allowable Torque: 490 mN.m
- Start/Run Capacitor Value: 7.0 uF 450VAC
- Nominal speed Control Range: 90 – 1400 RPM
- Ex-Factory Connection: Lead Wire Exiting Motor Body
- Motor Body: Aluminium Sealed – External Cowled Fan
- Output Shaft: Helical Pinion (Meshes with Gearhead)
- Weight: ~3.7 Kgs

### Gearhead Construction

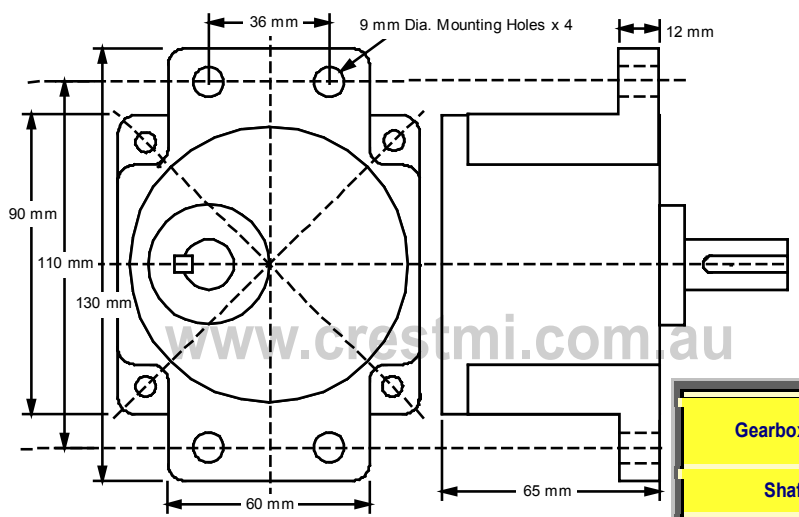
- Casing: Aluminium Alloy
- Gears: All Steel – Spur & Helical
- Bearings: Ball & Roller throughout
- Lubrication: Permanent Grease Packed
- Weight: ~1.7 Kgs



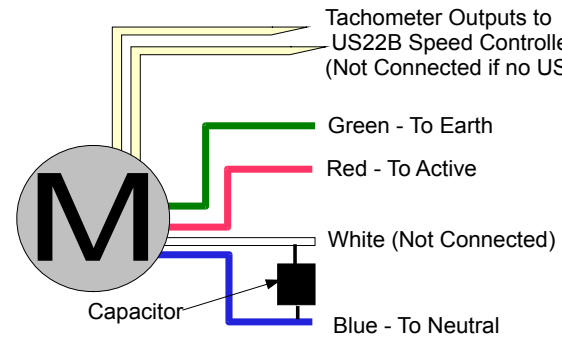
**AC5IK120RGU-CF Induction Motor**



**Standard Type (5GUxxK)**

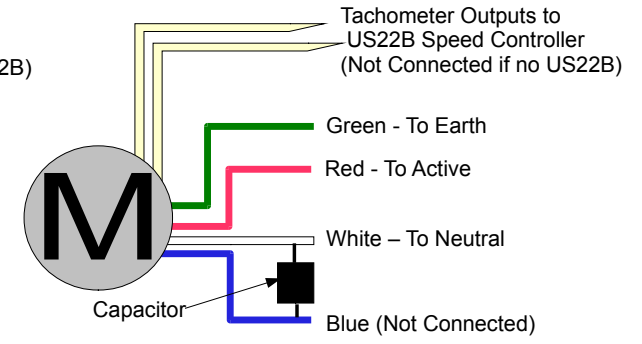


**Flanged Type (5GUxxKF)**



**Connection for CCW Motor Rotation**

Note: The Gearhead ratios from 12.5 to 18 and 90 to 200 yield an opposite rotation on the output shaft.



**Connection for CW Motor Rotation**

Note: The Gearhead ratios from 12.5 to 18 and 90 to 200 yield an opposite rotation on the output shaft.

Gearbox Model No.	5GU3K	5GU6K	5GU9K	5GU12.5K	5GU18K	5GU25K	5GU36K	5GU50K or 5GU50KF	5GU75K	5GU100KF Flanged	5GU150KF Flanged	5GU200K or 5GU200KF
Shaft Speed	500 RPM	250 RPM	166 RPM	120 RPM	83 RPM	60 RPM	41 RPM	30 RPM	20 RPM	15 RPM	10 RPM	7.5 RPM
AC5IK120RGU-CF Allowable Torque ⇒ *Gearbox Limit	N.m 23.4	4.5 45.9	6.9 69.3	8.6 86.7	12.2 124	15.3 156	20* 200*	20* 200*	20* 200*	20* 200*	20* 200*	20* 200*